

FIRE DAMPERS AND DOORS

Standard Rounds Sizing Chart

MODEL 75-CR AND MODEL 75-LCR

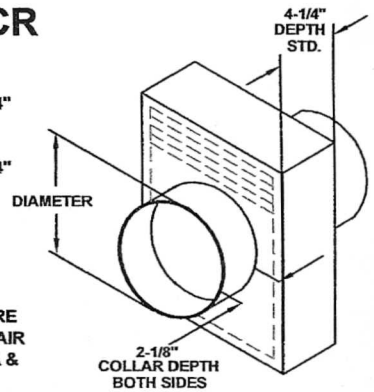
ORDER SIZE ROUND COLLAR DIAMETER "CR"	NOMINAL DAMPER WIDTH "W"	NOMINAL DAMPER HEIGHT "H"	DAMPER INSTALLATION ROUGH OPENING WIDTH X HEIGHT
4	6	6	6 X 6
5	7	7	7 X 7
6	8	8	8 X 8
7	9	9	9 X 9
8	10	11	10 X 11
9	11	12	11 X 12
10	12	13	12 X 13
11	13	14	13 X 14
12	14	15	14 X 15
13	15	16	15 X 16
14	16	17	16 X 17
15	17	18	17 X 18
16	18	19	18 X 19
17	19	21	19 X 21
18	20	22	20 X 22
19	21	23	21 X 23
20	22	24	22 X 24
21	23	25	23 X 25
22	24	26	24 X 26
23	25	27	25 X 27
24	26	28	26 X 28
25	27	29	27 X 29
26	28	30	28 X 30
27	29	32	29 X 32
28	30	33	30 X 33
29	31	34	31 X 34
30	32	35	32 X 35
31	33	36	33 X 36
32	34	37	34 X 37
33	35	38	35 X 38
34	36	39	36 X 39
35	37	40	37 X 40
36	38	42	38 X 42
37	39	43	39 X 43
38	40	44	40 X 44
39	41	45	41 X 45
40	42	46	42 X 46
41	43	47	43 X 47
42	44	48	44 X 48
43	45	49	45 X 49
44	46	50	46 X 50
45	47	52	47 X 52
46	48	53	48 X 53
47	49	54	49 X 54
48	50	55	50 X 55
49	51	56	51 X 56
50	52	57	52 X 57
51	53	58	53 X 58
52	54	59	54 X 59

ROUND COLLAR DIAMETERS ARE PROVIDED NOMINAL SIZE LESS 1/4"

DAMPER W X H DIMENSIONS ARE PROVIDED NOMINAL SIZE LESS 1/4"

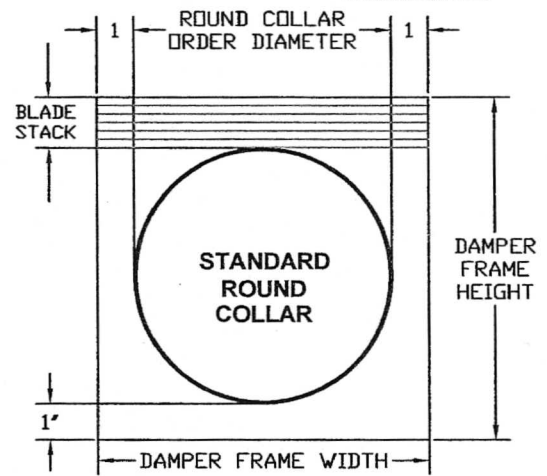
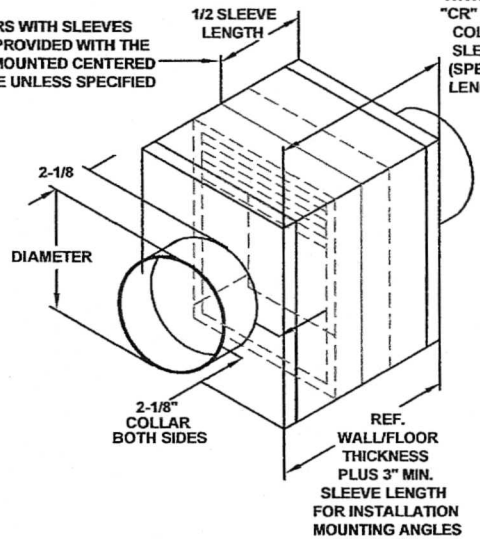
FOR NON-STANDARD DIAMETERS CONSULT THE FACTORY FOR PRICE, AVAILABILITY, AND DELIVERY.

ALL ROUND COLLAR DAMPERS ARE PROVIDED WITH BLADES OUT OF AIR STREAM TO MAXIMIZE FREE AREA & AIR FLOW.



DAMPERS WITH SLEEVES WILL BE PROVIDED WITH THE DAMPER MOUNTED CENTERED IN SLEEVE UNLESS SPECIFIED

WITH TYPE "CR" ROUND COLLAR SLEEVE (SPECIFY LENGTH)



CLLOYD-10-REV-C-3



LLOYD INDUSTRIES INC.

231 Commerce Dr.
Montgomeryville, PA 18936
Tel: 215-412-4445
Fax: 215-412-4409

138 Industrial Loop West
Orange Park, FL 32073
Tel: 904-541-1655
Fax: 904-541-1657

Email: lloydind@firedamper.com

Email: lloydind@bellsouth.net

Web Site: www.firedamper.com