

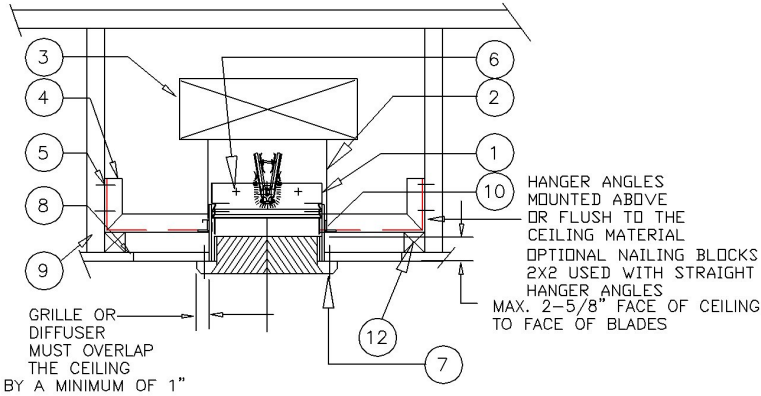


CEILING RADIATION DAMPERS

GENERAL INSTALLATION INSTRUCTIONS
MODEL CRD-50 and CRD-50-EA (RECTANGLE)
3 HOUR OR LESS RATED PARTITIONS

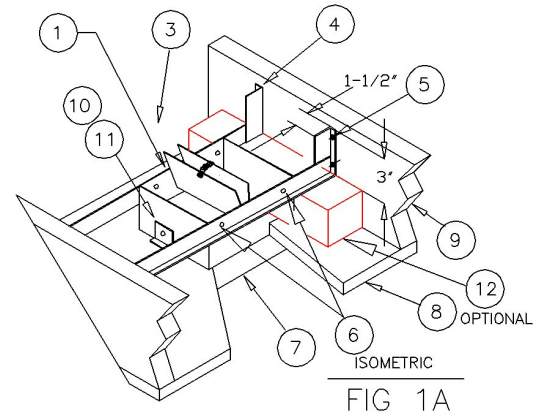
ITEM

- 1. MODEL 50 CRD (RECTANGLE) CEILING RADIATION DAMPER
2. STEEL DUCT DROP(LESS #3 PLENUM PERMITTED)
3. BRANCH PLENUM, OR PLENUM BOOT
4. HANGER ANGLES (2) 1-1/2 X 1-1/2 X 16 GAUGE
5. #6 COMMON NAILS OR #8 X 1-1/4 SCREWS
6. MOUNTING FASTENERS (BOLTS, SCREWS, RIVETS)
7. STEEL GRILLE, DIFFUSER, OR DROP DUCTING
8. CEILING : GYPSUM WALLBOARD
ACOUSTICAL TILE OR ACOUSTICAL PANEL (LAY-IN)
9. JOISTS, TRUSSES, BEAMS
10. STABILIZING ANGLES (2) 1/2 X 1-1/2 X 16 GA. X 3"
11. MOUNTING FASTENERS (BOLTS, SCREWS, RIVETS)



Model CRD50 and CRD50-EA Ceiling Radiation Dampers are Classified to UL 555C as 3 HR or less heat barriers illustrated in the UL Fire Resistance Directory.

Lloyd Industries MODEL CRD50 and CRD50-EA are laboratory approved for installation in all 3 hr. or less rated fire barriers listed in the Underwriters Laboratory Fire Resistance Directory.



- Notes:
1. Before installing the damper, CRD Model 50 (rectangle), and CRD Model 50-EA (rectangle) open the blades and hook the fusible link over the link catch on the opposite blade.
2. Measure the actual spacing between the joists or other structural members.
3. CRD Model 50 and CRD Model 50-EA are connected to the mounting angles with sheet metal screws, rivets, or bolts.
4. CRD Models 50 and CRD Model 50-EA are connected to the stabilizing angles with sheet metal screws, rivets, or bolts.
5. The installation mounting position of the closed damper blade face must not exceed 2-5/8" from the face of the rated barrier.
6. Install the ceiling damper in the duct drop using 3/16 inch diameter by 1/2 inch long steel bolts, No. 8 by 1/2 inch steel sheet metal screws or 3/16 inch diameter by 1/2 inch long steel bolts, No. 8 by 1/2 inch steel sheet metal screws or 3/16 inch diameter steel rivets at 6 inches o.c. and a minimum of (3) places.
7. The clearance between each side of the ceiling damper and the duct drop shall be 1/8 inch maximum.
8. The maximum size of CRD Model 50 (rectangle) and CRD Model 50-EA (rectangle) is 24" W x 24" H.
9. Steel/Alum. grille or diffuser to be attached to the duct drop or ceiling damper using No. 8 by 1-1/2 inch lg. sheet metal



INSTALLATION INSTRUCTIONS AND THE PRODUCTS SPECIFIED, ARE IN CONFORMANCE TO ALL OF UNDERWRITERS LABORATORIES REQUIREMENTS 555C